

■ Features :

- Universal AC input/Full range
- Protections: Short circuit / Overload / Over voltage
- Cooling by free air convection
- 100% full load burn-in test
- 2 years warranty

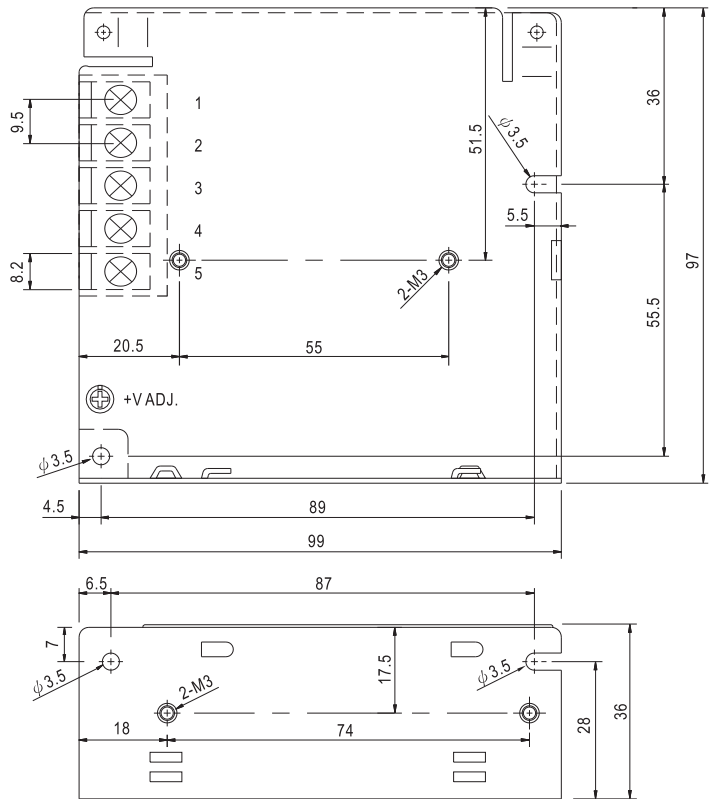


## SPECIFICATION

| MODEL                 | NES-35-5                                  | NES-35-12  | NES-35-15    | NES-35-24      | NES-35-48    |              |
|-----------------------|---|--|--------------|----------------|--------------|--------------|
| OUTPUT                | DC VOLTAGE                                | 5V   | 12V          | 15V            | 24V          | 48V          |
|                       | RATED CURRENT                             | 7A   | 3A           | 2.4A           | 1.5A         | 0.8A         |
|                       | CURRENT RANGE                             | 0 ~ 7A   | 0 ~ 3A       | 0 ~ 2.4A       | 0 ~ 1.5A     | 0 ~ 0.8A     |
|                       | RATED POWER                               | 35W  | 36W          | 36W            | 36W          | 38.4W        |
|                       | RIPPLE & NOISE (max.) Note.2              | 80mVp-p  | 120mVp-p     | 150mVp-p       | 200mVp-p     | 240mVp-p     |
|                       | VOLTAGE ADJ. RANGE                        | 4.75 ~ 5.5V  | 10.8 ~ 13.2V | 13.5 ~ 16.5V   | 21.6 ~ 26.4V | 43.2 ~ 52.8V |
|                       | VOLTAGE TOLERANCE Note.3                  | ±2.0%  | ±1.0%        | ±1.0%          | ±1.0%        | ±1.0%        |
|                       | LINE REGULATION Note.4                    | ±0.5%  | ±0.5%        | ±0.5%          | ±0.5%        | ±0.5%        |
|                       | LOAD REGULATION Note.5                    | ±0.5%  | ±0.5%        | ±0.5%          | ±0.5%        | ±0.5%        |
|                       | SETUP, RISE TIME                          | 500ms, 30ms/230VAC      1200ms, 30ms/115VAC at full load   |              |                |              |              |
| HOLD UP TIME (Typ.)   | 50ms/230VAC      10ms/115VAC at full load |  |              |                |              |              |
| INPUT                 | VOLTAGE RANGE                             | 85 ~ 264VAC      120 ~ 370VDC  |              |                |              |              |
|                       | FREQUENCY RANGE                           | 47 ~ 63Hz  |              |                |              |              |
|                       | EFFICIENCY (Typ.)                         | 78%  | 81%          | 83%            | 85%          | 86%          |
|                       | AC CURRENT (Typ.)                         | 0.75A/115VAC      0.5A/230VAC  |              |                |              |              |
|                       | INRUSH CURRENT (Typ.)                     | COLD START 45A   |              |                |              |              |
|                       | LEAKAGE CURRENT                           | <2mA / 240VAC  |              |                |              |              |
| PROTECTION            | OVERLOAD                                  | 110 ~ 150% rated output power<br>Protection type : Hiccup mode, recovers automatically after fault condition is removed  |              |                |              |              |
|                       | OVER VOLTAGE                              | 5.75 ~ 6.75V   | 13.8 ~ 16.2V | 17.25 ~ 20.25V | 27.6 ~ 32.4V | 55.2 ~ 64.8V |
| ENVIRONMENT           | WORKING TEMP.                             | -20 ~ +60°C (Refer to "Derating Curve")  |              |                |              |              |
|                       | WORKING HUMIDITY                          | 20 ~ 90% RH non-condensing   |              |                |              |              |
|                       | STORAGE TEMP., HUMIDITY                   | -40 ~ +85°C, 10 ~ 95% RH   |              |                |              |              |
|                       | TEMP. COEFFICIENT                         | ±0.03%/°C (0 ~ 45°C)   |              |                |              |              |
|                       | VIBRATION                                 | 10 ~ 500Hz, 2G 10min./1cycle, period for 60min. each along X, Y, Z axes  |              |                |              |              |
| SAFETY & EMC (Note 7) | SAFETY STANDARDS Note.6                   | UL60950-1, CB(IEC60950-1),CCC GB4943.1:2011 approved   |              |                |              |              |
|                       | WITHSTAND VOLTAGE                         | I/P-O/P:3KVAC    I/P-FG:2KVAC    O/P-FG:0.5KVAC  |              |                |              |              |
|                       | ISOLATION RESISTANCE                      | I/P-O/P, I/P-FG, O/P-FG:100M Ohms / 500VDC / 25°C/ 70% RH  |              |                |              |              |
|                       | EMC EMISSION                              | Compliance to EN55022 (CISPR22) Class B, EN61000-3-2,-3  |              |                |              |              |
| OTHERS                | EMC IMMUNITY                              | Compliance to EN61000-4-2, 3, 4, 5, 6, 8, 11, EN55024, EN61000-6-1, light industry level, criteria A   |              |                |              |              |
|                       | MTBF                                      | 394Khrs min.    MIL-HDBK-217F (25°C)   |              |                |              |              |
|                       | DIMENSION                                 | 99*97*36mm (L*W*H)   |              |                |              |              |
| NOTE                  | PACKING                                   | 0.36Kg; 45pcs/17.2Kg/0.93CUFT  |              |                |              |              |
|                       | NOTE                                      | <ol style="list-style-type: none"> <li>1. All parameters NOT specially mentioned are measured at 230VAC input, rated load and 25°C of ambient temperature.</li> <li>2. Ripple &amp; noise are measured at 20MHz of bandwidth by using a 12" twisted pair-wire terminated with a 0.1uf &amp; 47uf parallel capacitor.</li> <li>3. Tolerance : includes set up tolerance, line regulation and load regulation.</li> <li>4. Line regulation is measured from low line to high line at rated load.</li> <li>5. Load regulation is measured from 0% to 100% rated load.</li> <li>6. For the request of GB4943.1,the power supply is only suitable for use in the altitude 2000m below and the non tropical climate condition.</li> <li>7. The power supply is considered a component which will be installed into a final equipment. The final equipment must be re-confirmed that it still meets EMC directives. For guidance on how to perform these EMC tests, please refer to "EMI testing of component power supplies." (as available on <a href="http://www.meanwell.com">http://www.meanwell.com</a>)</li> </ol> |              |                |              |              |

■ Mechanical Specification

Case No. 905 Unit:mm

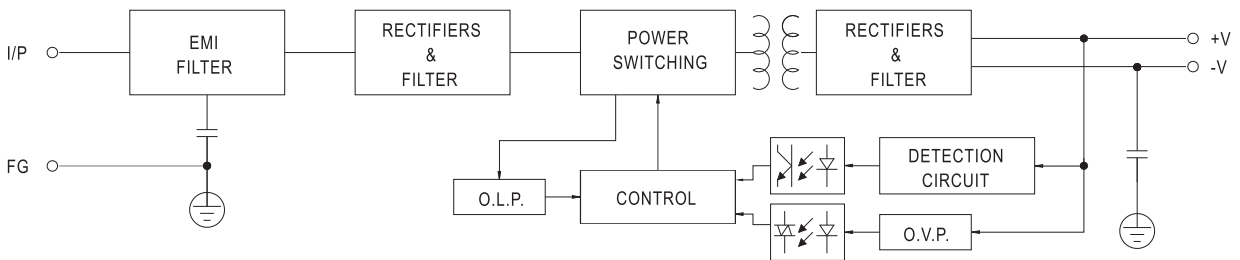


Terminal Pin No. Assignment

| Pin No. | Assignment | Pin No. | Assignment   |
|---------|------------|---------|--------------|
| 1       | AC/L       | 4       | DC OUTPUT -V |
| 2       | AC/N       | 5       | DC OUTPUT +V |
| 3       | FG         |         |              |

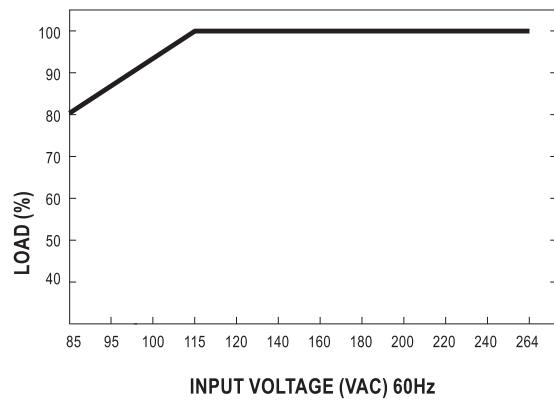
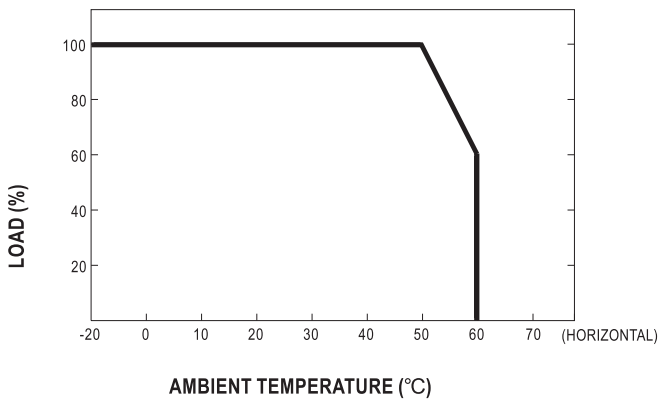
■ Block Diagram

fosc : 60KHz



■ Derating Curve

■ Output Derating VS Input Voltage



# Mouser Electronics

Authorized Distributor

Click to View Pricing, Inventory, Delivery & Lifecycle Information:

## MEAN WELL:

[NES-35-12](#) [NES-35-15](#) [NES-35-24](#) [NES-35-48](#) [NES-35-5](#)